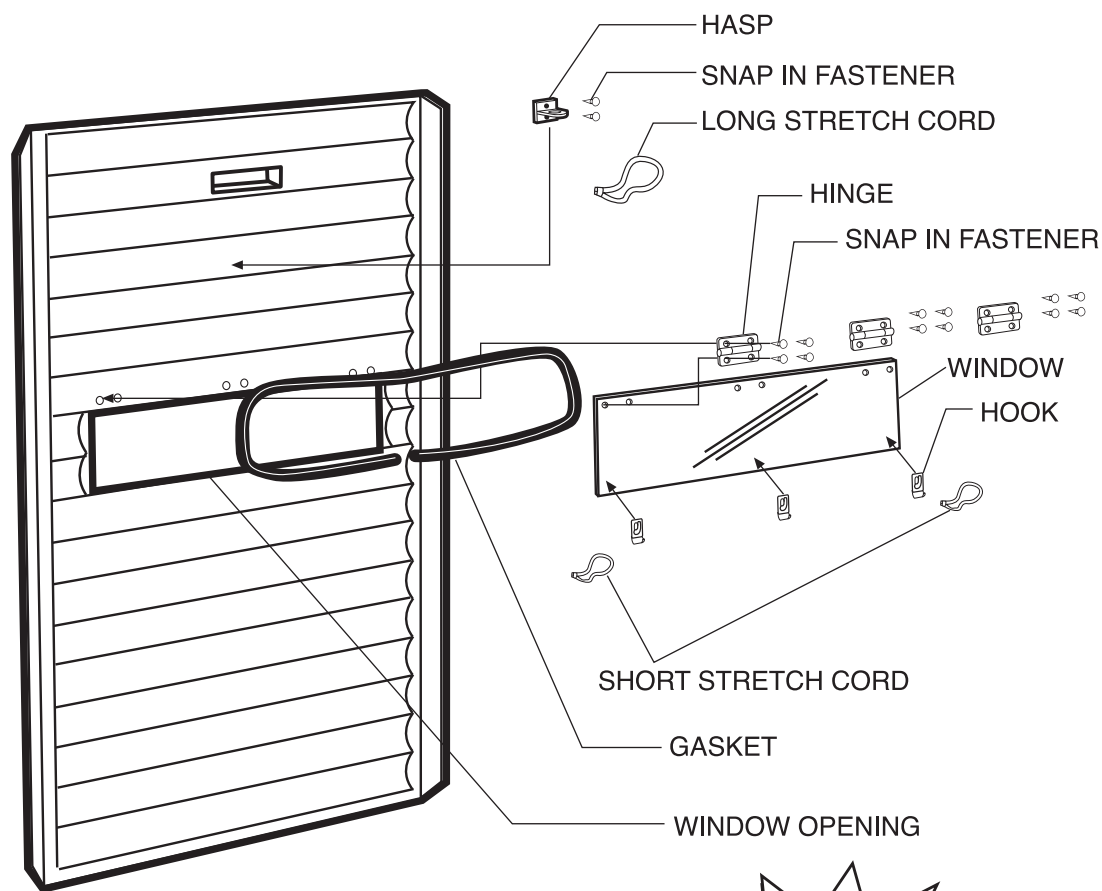




# WINDOW CONVERSION KIT ASSEMBLY INSTRUCTIONS



## PLEASE READ INSTRUCTIONS BEFORE ASSEMBLY

**Do not remove the paper coating on the window until after you drill the hinge holes. The paper coating will help prevent the window from cracking when you drill the holes.**

- 1** Using a pen or pencil, locate the hinges on the window:
  - The middle hinge is centered at 15 1/8".
  - The side hinges are at 2" on center from the edge of the window.
  - Fold the hinge over the edge of the window and mark the hinge holes.

IMPORTANT: THE FOLD SIDE OF THE HINGE GOES FACE DOWN ON THE WINDOW.
- 2** Slowly drill the hinge holes back and forth a few times.
- 3** Remove the paper coating.
- 4** Attach the hinges with snap in fasteners. If the fasteners are hard to snap in, slowly drill the window holes up and down a few more times.
- 5** Line up the window with the opening in the Blynd. The hinge should lay flat on the side wall just above the window opening. Drill the left outside hinge hole and attach with the snap in fastener, drill the right outside hinge hole and attach with snap in fastener. Drill the balance of the hinge hole and attach the fasteners.
- 6** With the hook pointing up, attach the left and right hooks to the bottom of the window 3" on center from the edge of the window. Attach the center hook to the bottom center (15 1/8") of the window.
- 7** Raise the window and align the hasp on the side wall with the center window hook. Drill holes for the hasp and attach to the wall with the snap in fasteners.
- 8** Attach the gasket to the window opening flange. Trim off any excess.
- 9** Use the stretch cord to close the window by attaching the cord to the window hook and the cord hook to the existing screw tip that holds on the outside aluminum window track. The short stretch cords are used on the outside edges of the window and the longer ones crisscross and go on the center hook. If a stretch cord needs more tension, you can twist the keeper off the hook, cut the cord as needed and reassemble it.
- 10** To keep your window open, raise it up and hook one of the stretch cords to the hasp.

a product of

**PLASTIC VACUUM FORMING, INC.**

12103 Radium Dr. • San Antonio • Texas • 78216 • 210-344-8531 • 1-800-458-0263